

# Pressure Gauge for Fire Extinguishing Pumps

According to DIN 14 421,  
with vertical diaphragm

**PsP 80**

Information on advantages, application fields, temperature resistance, metrological features and pressure ranges of all available diaphragm pressure gauges with vertical diaphragm can be found in our model overview 4000.

## Application

These pressure gauges are designed especially for applications at fire extinguishing pumps and comply with DIN 14 421.

## Standard Versions

**Accuracy** (DIN 14 421/DIN EN 837-3)  
Class 2.5

### Case

Bezel ring, stainless steel polished,  
screwed to the vertical mounted lower flange of the diaphragm

**Degree of Protection** (DIN EN 60 529/IEC 529)  
IP54

### Nominal Case Size

80 mm (3")

### Wetted Parts

Ordering code	Connection	Lower flange of the diaphragm	Diaphragm	O-ring sealing
- 1	brass	brass	CuBe	NBR

### Case Configuration

Connection: screwed  
Position of the connection: centre back connection (**rm**)  
Mounting device: - without  
- front flange for panel mounting (**rmFr**)

**Pressure Ranges** (DIN 14 421)  
0 – 25 bar or -1 / + 25 bar, zero at 12 o'clock

### Process Connection

M20x1.5  
with restrictor screw Ø 0.6 mm (0.02")

### Window

Acrylic glass

### Movement

Brass/German silver

### Dial

Aluminum white,  
scale -1 / 0 bar red, 0 – 25 bar black

### Pointer

Aluminum black

### Temperature Resistance

Storage temperature: -40 °C to +70 °C (-40 °F to +158 °F)  
Ambient temperature: -20 °C to +60 °C (-4 °F to +140 °F)  
Medium temperature: max. +60 °C (+140 °F)

### Reference Temperature

+20 °C (+68 °F)



## Special Versions and Options

- Connection thread G ½ B or ½" NPT, others upon request
- Restrictor screw in the inlet port deviating from Ø 0.6 mm (0.02")
- Lower flange of the diaphragm made of aluminum with restrictor screw Ø 1 x 10 mm (0.04 x 0.39") made of stainless steel
- Window instrument glass
- Stainless steel case NCS 80 (3"), crimped-on ring, model PsPChg 80 – 1 rm, optionally with front flange (rmFr) or u-clamp for panel mounting (rmBFR)
- Stainless steel case NCS 100 (4"), crimped-on ring, model PsPChg 100 – 1 rm
- Case filling glycerin: with crimped-on ring case stainless steel only, for vertical installation only, models PsPChgG 80 – 1 rm, rmFr or rmBFR and PsPChgG 100 – 1 rm upon request

## Ordering Information

Please specify in your order:

<b>Basic model</b>	PsP 80
<b>Wetted parts</b>	- 1
<b>Case configuration</b>	rm or rmFr
<b>Pressure range</b>	according to DIN 14 421 0 – 25 bar or -1 / +25 bar
<b>Process connection</b>	M20x1.5 (standard) G ½ B
<b>Specifics</b>	see above

**Example:** PsP 80 – 1, rmFr, 0 – 25 bar, M20x1.5  
PsP 80 – 1, rm, -1 / +25 bar, G ½ B

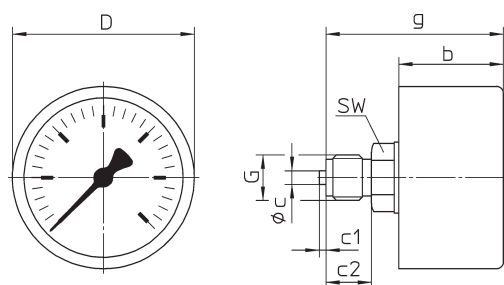
[www.armano-messtechnik.com](http://www.armano-messtechnik.com)

# Case Configurations, Code Letters, Dimensional Data and Weight

## Centre Back Connection

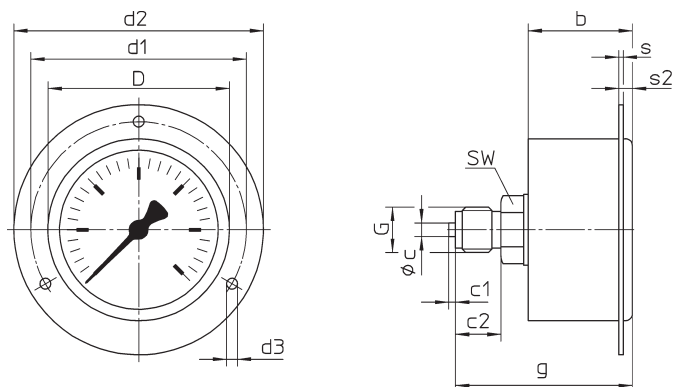
without mounting device

code letters: **rm**



with front flange for panel mounting

code letters: **rmFr**



## Dimensional Data (mm/inch) and Weight (kg/lb)

NCS	b	c	c1	c2	D	d1	d2	d3	g	G	s	s2	SW	(approx.) weight <sup>1)</sup>
80 3	46 1.81	6 0.24	3 0.12	20 0.79	80 3.15	95 3.74	110 4.33	4.3 0.17	78 3.07	M20x1.5 optionally G 1/2 B 1/2" BSP	2 0.08	6 0.24	27 1.06	0.65 1.43

<sup>1)</sup> information for version without mounting device