

Pressure Gauge for Fire Extinguishing Pumps

According to DIN 14 421, crimped-on ring case stainless steel as new standard, with vertical diaphragm

PsPChg
80 – 3 rm

Information on advantages, application fields, temperature resistance, metrological features and pressure ranges of all available diaphragm pressure gauges with vertical diaphragm can be found in our model overview 4000.

Application

These pressure gauges are designed especially for applications at fire extinguishing pumps and comply with DIN 14 421.

Standard Versions

Accuracy (DIN 14 421 / DIN EN 837-3)
Class 2.5

Case

With crimped-on ring, stainless steel
Lower flange of the diaphragm vertically mounted

Degree of Protection (DIN EN 60 529 / IEC 529)
IP54

Nominal Case Size
80 mm (3")

Wetted Parts

Ordering code	Connection	Lower flange of the diaphragm	Diaphragm	O-ring sealing
- 3	stainless steel 304	stainless steel 304	CuBe	NBR

Case Configuration

Connection: welded
Position of the connection: centre back connection (**rm**)
Mounting device:
- without
- front flange for panel mounting (**Fr**)
- u-clamp for panel mounting (**BFr**)

Pressure Ranges (DIN 14 421)
0 – 25 bar or -1 / + 25 bar, zero at 12 o'clock

Process Connection

M20x1.5
Two-flats AF 21
With restrictor screw Ø 0.6 mm (0.02"), brass

Window

Acrylic glass

Movement

Brass/German silver

Dial

Aluminum white,
scale -1 / 0 bar red, 0 – 25 bar black

Pointer

Aluminum black



Temperature Resistance

Storage temperature: -40 °C to +70 °C (-40 °F to +158 °F)
Ambient temperature: -20 °C to +60 °C (-4 °F to +140 °F)
Medium temperature: max. +60 °C (+140 °F)

Reference Temperature

+20 °C (+68 °F)

Options

- Connection thread G ½ B or ½" NPT
- Restrictor screw Ø 0.3 mm (0.01") made of brass
- Restrictor screw Ø 0.6 mm (0.02") made of stainless steel
- Window instrument glass
- Case filling glycerin
- GOST version for Russia and Kazakhstan

Special Versions Upon Request

- Other connection threads

Ordering Information

Please specify in your order:

Basic model PsPChg 80 – 3 rm
Case configuration Fr or BFr
Pressure range according to DIN 14 421
0 – 25 bar or -1 / +25 bar
Process connection M20x1.5
Specifics see above

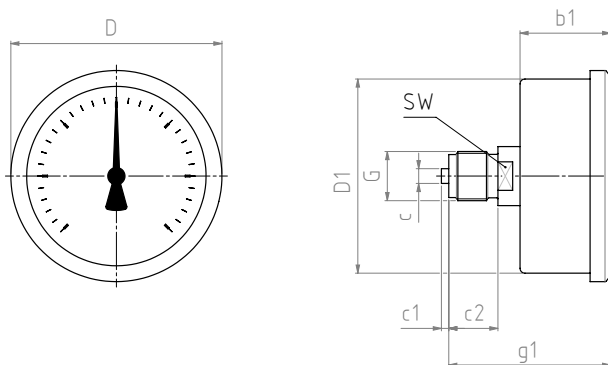
Example: PsPChg 80 – 3, rmFr, 0 – 25 bar, M20x1.5
PsPChg 80 – 3, rm, -1 / +25 bar, G ½ B

Case Configurations, Code Letters, Dimensional Data and Weight

Centre Back Connection

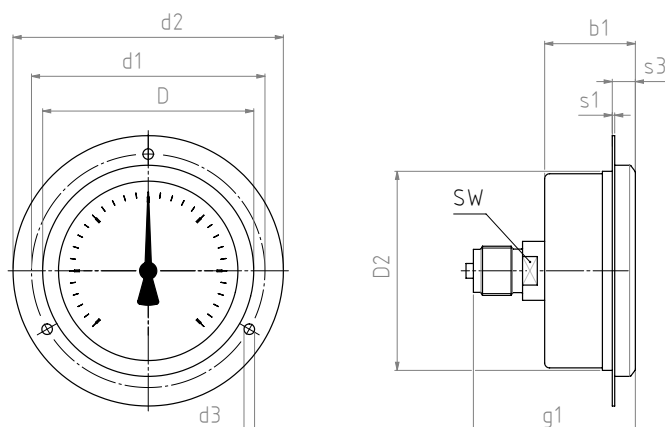
without mounting device

code letters: **rm**



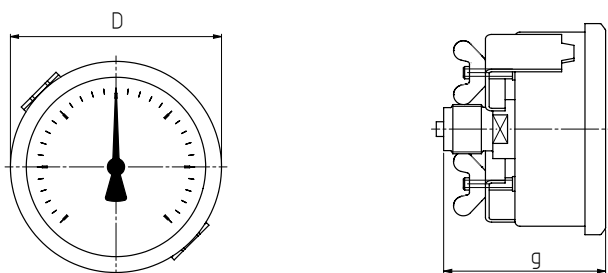
with front flange for panel mounting

code letters: **rmFr**



with u-clamp for panel mounting

code letters: **rmBFr**



recommended panel cut out $\varnothing 81 \pm 0.5 \text{ mm}$ ($3.19 \pm 0.02''$)

Dimensional Data (mm/inch) and Weight (kg/lb)

NCS	b1	c	c1	c2	D	D1	D2	d1	d2	d3	g	G	s1	s3	SW	approx. weight ¹⁾
80	37	6	3	20	80	79	81	95	110	4.8	66	M20x1.5	1	9	21	0.65
3	1.46	0.24	0.12	0.79	3.15	3.11	3.19	3.74	4.33	0.19	2.6	optionally G 1/2 B 1/2" BSP	0.04	0.35	0.83	1.43

¹⁾ data for version without mounting device